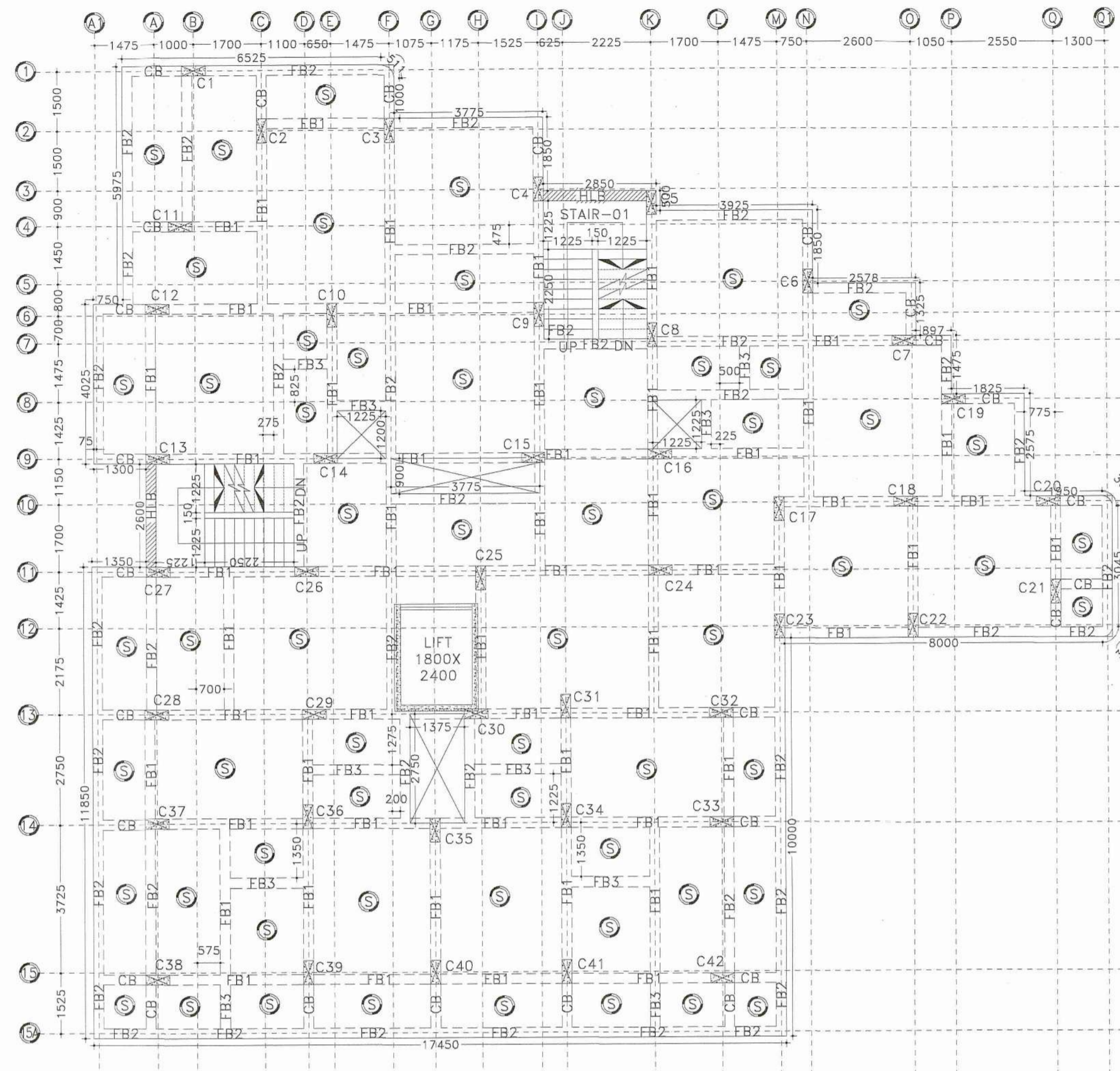
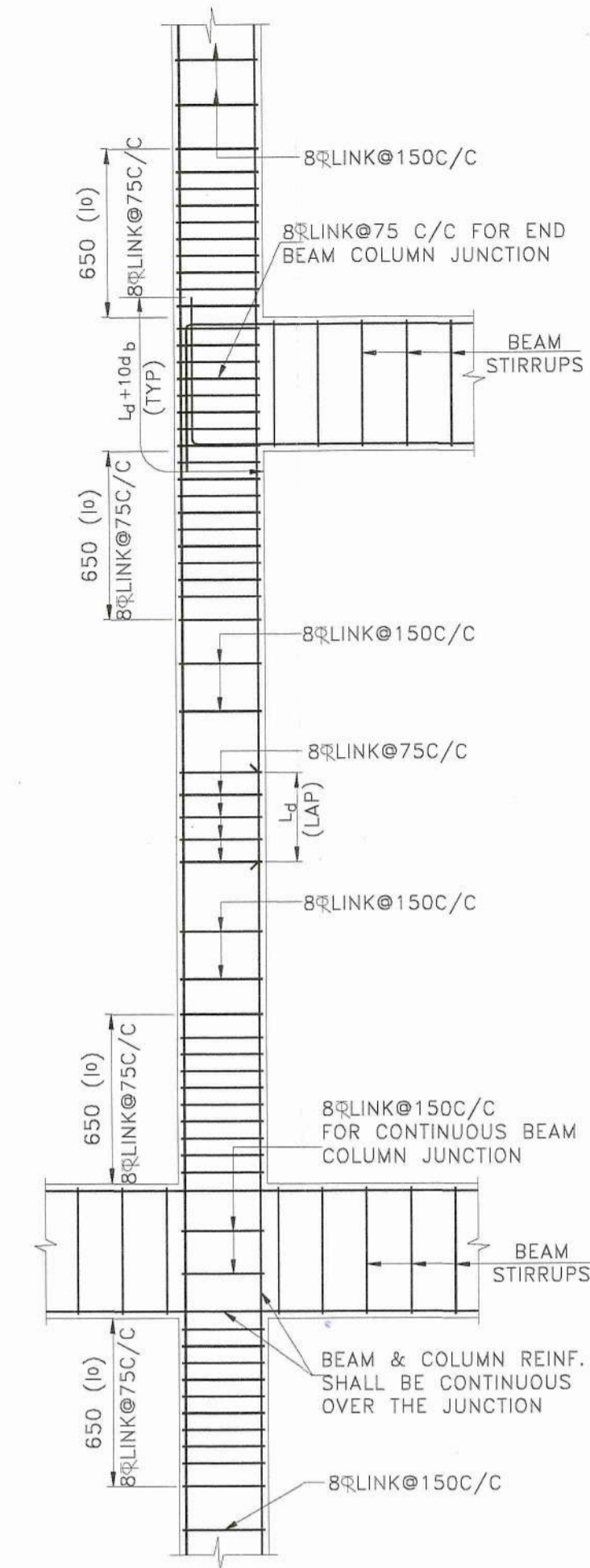


1 TIE BEAM LAYOUT  
SCALE: 1:100



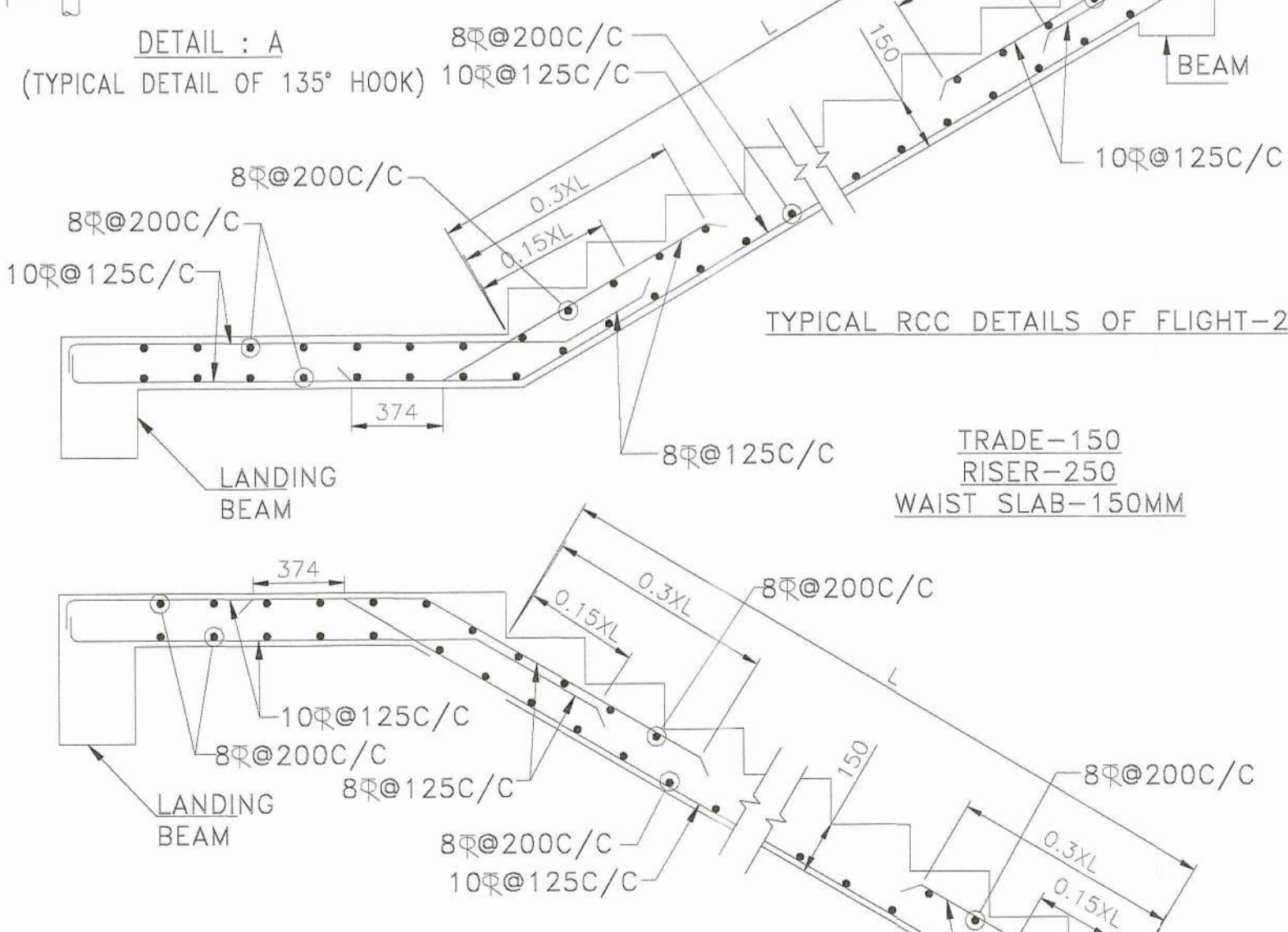
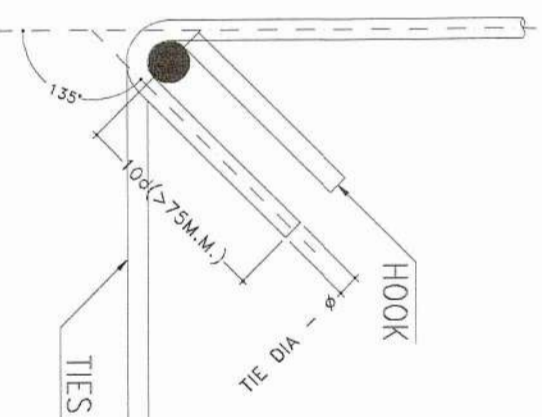
1 GROUND FLOOR ROOF BEAM LAYOUT PLAN.  
SCALE: 1:100



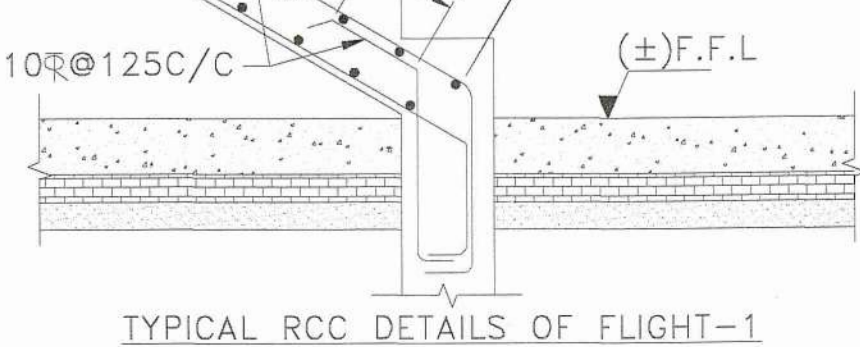
TYPICAL DETAIL OF BEAM COLUMN JUNCTION  
SCALE: -N.T.S.

TABLE NO:-01 (SCHEDULE OF TIE BEAM)

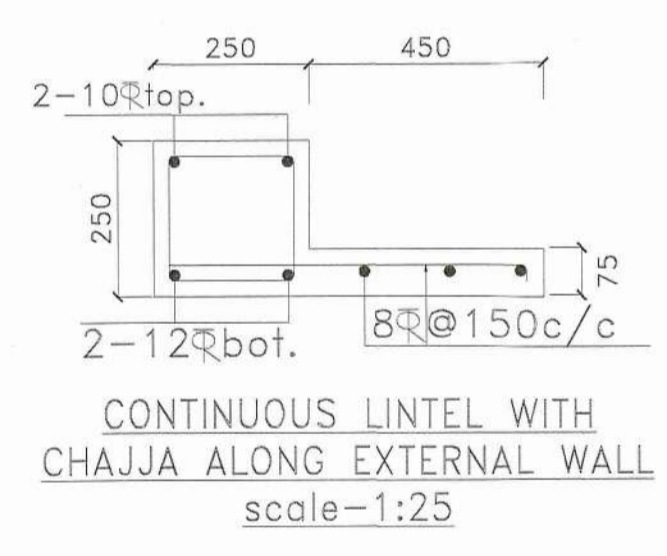
Beam Mkd	Size	All Through	Ext. at End Top(a) Bot.(c)	Ext. at Supp. Top (b)	Ext. at Span. Bot (e)	Ext. at Cont. Supp. Top (b)	STIRRUPS	
							Support	Span
TB	300 450	3-16R	3-16R	2-16R	2-16R	2-16R	2L-8R@125C/C	2L-8R@125C/C



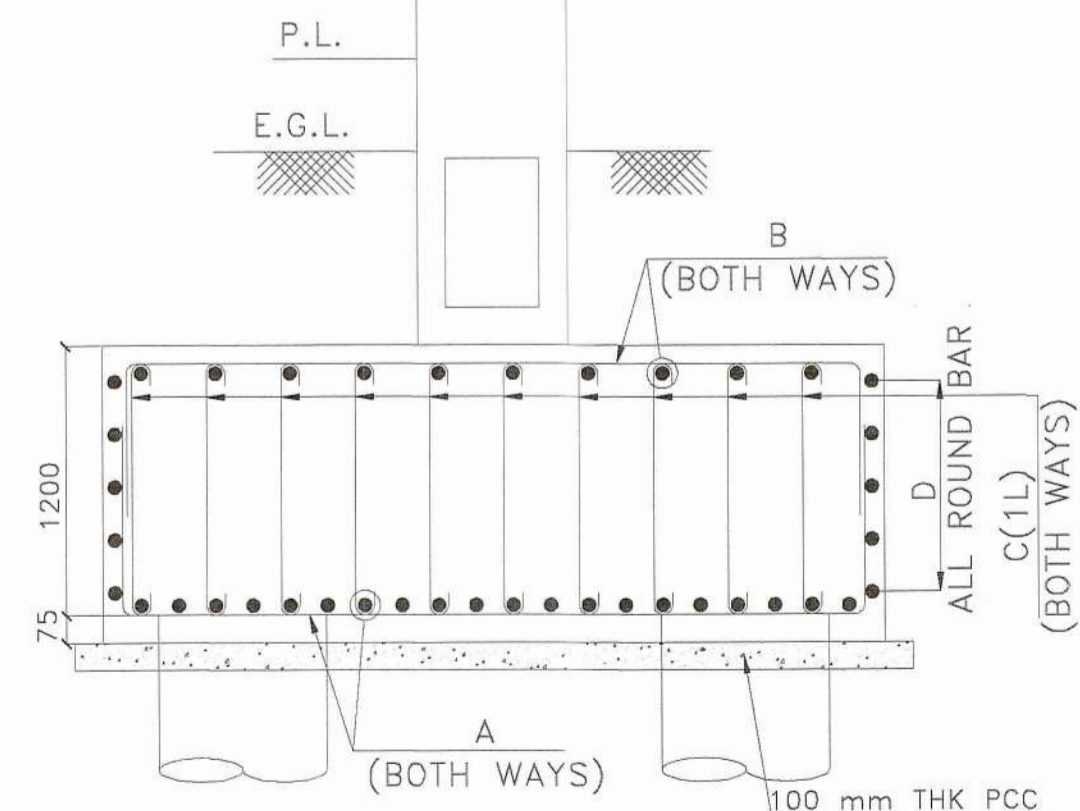
4 DETAILS OF STAIR  
SCALE: N.T.S.



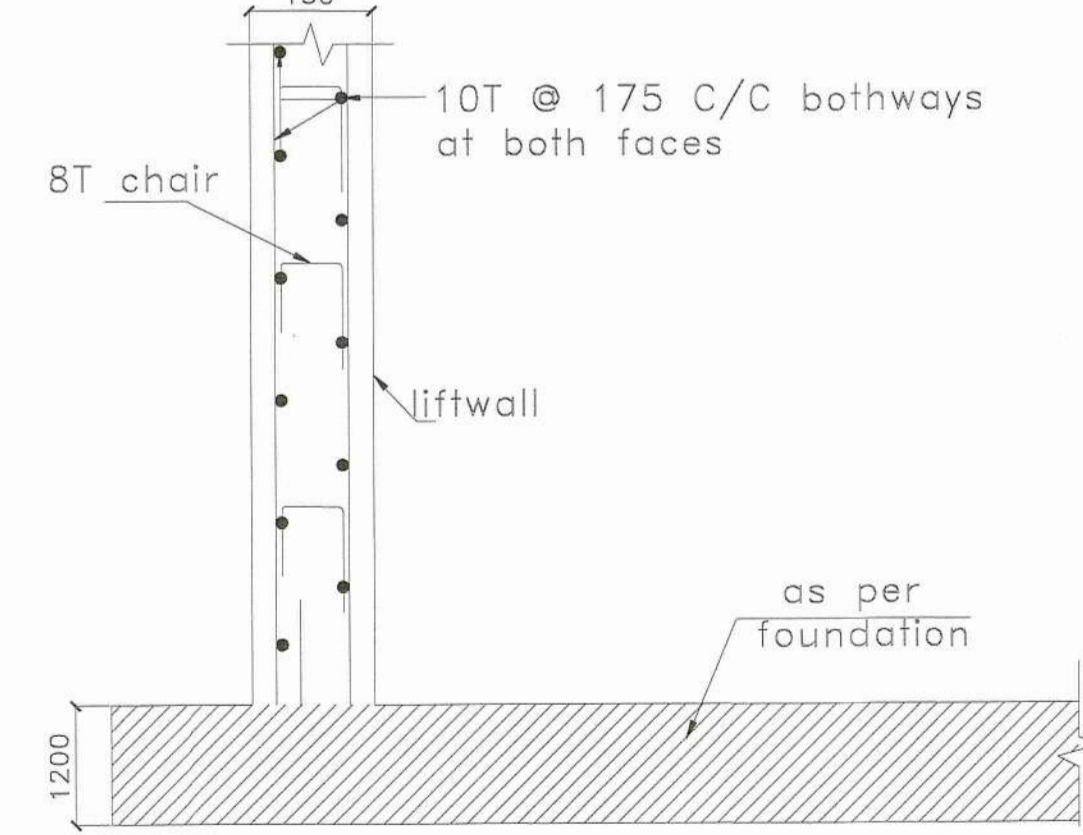
CUT LINTEL OVER 125 THK. WALL  
scale-1:25



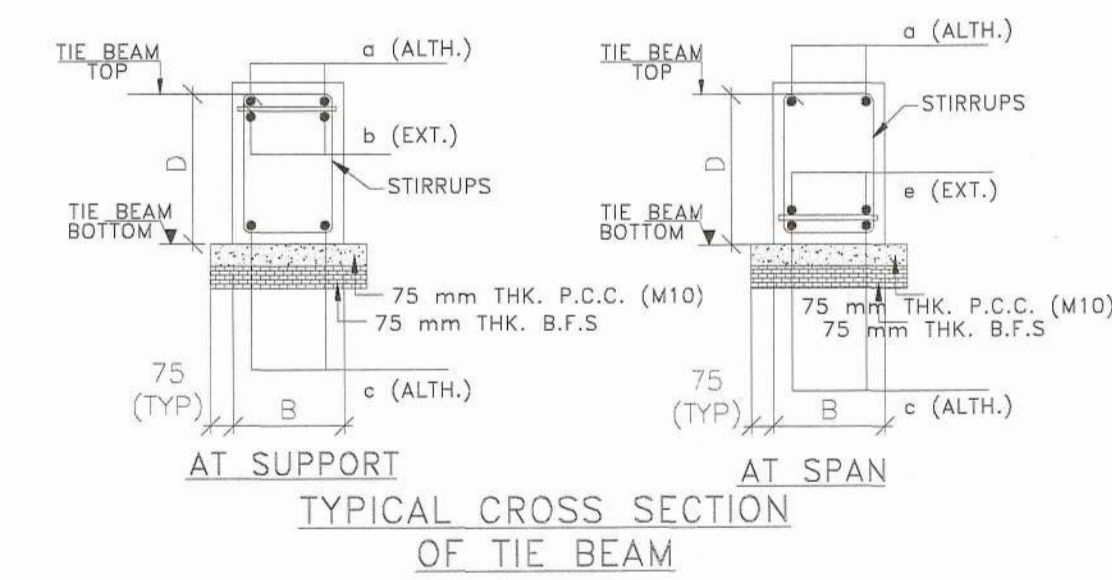
CONTINUOUS LINTEL WITH CHAJJA ALONG EXTERNAL WALL  
scale-1:25



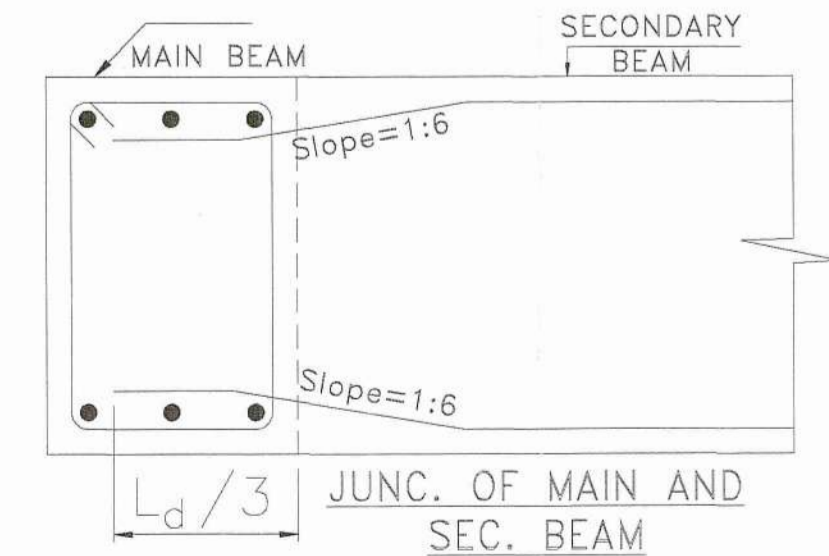
6 TYPICAL DETAILS OF PILE CAP SECTION  
SCALE: N.T.S.



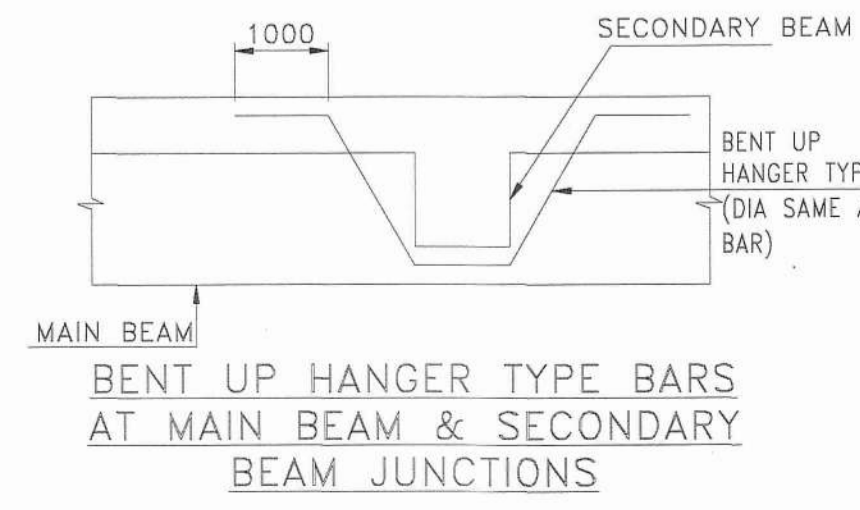
5 SECTIONAL DETAILS OF LIFT WALL  
SCALE: 1:25



TYPICAL CROSS SECTION OF TIE BEAM



JUNC. OF MAIN AND SEC. BEAM



BENT UP HANGER TYPE BARS AT MAIN BEAM & SECONDARY BEAM JUNCTIONS

PROJECT NAME:-  
STRUCTURAL DRAWING OF PROPOSED (G+6) SEVEN STORIED RESIDENTIAL CUM COMMERCIAL BUILDING OF MR. BIPUL BANERJEE S/O LT. CHITTARANJAN BANERJEE, MR. BIDHAN CHANDRA MONDAL S/O SURENDRA NATH MONDAL OVER R.S. PLOT NO-26/486,L.R. PLOT NO-116, L.R. KHATIAN NO-2979,1697 J.L. NO.-109, MOUZA- SHANKARPUR, P.S.- N.T.P.S, GRAM PANCHAYAT- JEMUA, DIST.-PASCHIM BARDHAMAN, WEST BENGAL.

- NOTES :-
- (±) 0.00 m LEVEL REFERS TO E.G.L.
  - UNLESS OTHERWISE STATED ALL CONSTRUCTION ACTIVITIES SHALL BE CARRIED OUT CONFORMING TO RELEVANT (INDIAN) STANDARD CODES OF PRACTICE.
  - ALL DIMENSIONS ARE IN MILLIMETERS & LEVELS ARE IN METER. EXCEPT OTHERWISE MENTIONED, ONLY WRITTEN DIMENSIONS SHALL BE FOLLOWED. ALL LEVELS GIVEN IN STRUCTURAL DRAWINGS ARE IN ACCORDANCE WITH ARCHITECTURAL DRAWINGS AND INDICATE STRUCTURAL LEVEL ONLY (WITHOUT FINISH). HOWEVER ARCHITECTURAL DRAWING TO BE COORDINATED FOR ALL LEVELS.
  - ALL STRUCTURAL DRAWINGS SHALL BE READ ALONG WITH THIS DRAWING AS WELL AS RELEVANT ARCHITECTURAL DRAWINGS.
  - ANY DISCREPANCY IN THE STRUCTURAL AND ARCHITECTURAL DRAWINGS SHALL BE BROUGHT TO THE NOTICE OF STRUCTURAL CONSULTANT BEFORE EXECUTION OF WORK.
  - UNLESS OTHERWISE SPECIFIED ALL REINFORCEMENT TO BE USED SHALL BE TMT. BARS OF GRADE Fe-500/500 D CONFORMING TO IS:-1786-2008.
  - ADEQUATE CHAIR BARS TO BE PROVIDED TO KEEP THE TOP REINFORCEMENT IN PROPER POSITION.
  - UNLESS OTHERWISE STATED LAP LENGTH OF BARS SHALL BE DEVELOPMENT LENGTH=50xBAR DIA.
  - UNLESS OTHERWISE SPECIFIED DISTRIBUTION REINFORCEMENT SHALL BE 8 T @ 250 C/C
  - CONCRETE COVER TO MAIN REINFORCEMENT SHALL BE AS FOLLOWS:- a)Beam:-25mm, b)Column:-40mm, c)Slab:-15mm, d)Footling:-50mm, e)R.C.C Wall:-20mm, f) Stair:- 20mm.
  - Grade of concrete will be M30 for column and M25 for beam and sub structure as per is:-456:2000.
  - Development length 50xD for lap & splices should be provided as per the provisions laid down in SP34:1987

SIGNATURE OF DEVELOPER/OWNER:-

FUTURE BUILDERS & DEVELOPERS  
Anirudh Patra  
FUTURE BUILDERS & DEVELOPERS  
Kingshuk Patra

VETTED BY:-

DR. S. N. MUKHERJEE  
Professor  
CIVIL ENGINEERING  
JADAVPUR UNIVERSITY  
KOLKATA-700032, (W)

Approved Plan No. 3 on Meeting No. 2023-24 Date: 07/11/2023 Valid upto: 25/01/2024  
S. K. Saha  
Pradhan  
Jemua Gram Panchayat

TITLE:-

TIE BEAM LAYOUT PLAN WITH SCHEDULE, GROUND FLOOR ROOF BEAM LAYOUT WITH SECTION DETAILS, DETAILS OF CUT LINTEL AND CHAJJA, SECTIONAL DETAILS OF STAIR.

DRAWN BY: A BADIYAKAR.  
CHECKED BY: S AKHTER.  
SCALE : 1:100, 1:50, 1:25, N.T.S  
REV-00  
DATE: 06.10.2023  
SHEET NO:- STRUCTURE:-02-03

SIGNATURE OF ARCHITECT:-

Manu Monowara Khatun  
MAJUMONOWARA KHATUN  
ARCHITECT  
CA/2022/146222  
GIDS, Durgapur -16

SIGNATURE OF GEOTECHNICAL ENGINEER:-

H. K. Ghosh  
Structural Engineer  
L.B.S. - Class-I (R.M.C.) ESE-II  
Structural & Geo-Technical  
ESE-II/398, LBS-1/246

SIGNATURE OF STRUCTURAL ENGINEER:-

H. K. Ghosh  
Structural Engineer  
L.B.S. - Class-I (R.M.C.) ESE-II  
Structural & Geo-Technical  
ESE-II/398, LBS-1/246

